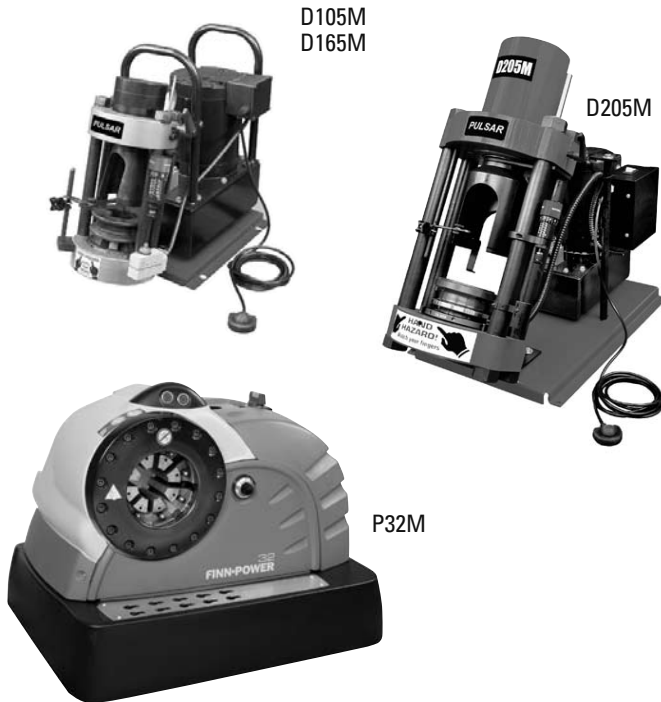


Part Number **PRICE EACH**

PULSAR HYDRAULIC CRIMPERS



D105M \$ 7,017.00
110 volt 35 ton crimper supplied with digital caliper set and 7 die sets (16mm red, 19mm yellow, 22mm blue, 26mm brown, 30mm purple, 34mm green, 42mm silver)

D165M 7,208.00
110 volt 65 ton crimper supplied with digital caliper set and 7 die sets (16mm red, 19mm yellow, 22mm blue, 26mm brown, 30mm purple, 34mm green, 42mm silver)

D205M 9,402.00
220 volt 80 ton crimper supplied with digital caliper set and 9 die sets (16mm red, 19mm yellow, 22mm blue, 26mm brown, 30mm purple, 34mm green, 39mm black, 47mm silver, 50mm orange)

P32M P.O.R.
(available in many power and dies configurations, please contact PULSAR for pricing)

DIE SETS FOR D105M & D165M CRIMPERS

D105M-DIE(size) 330.00
Specify size in millimeters at time of ordering. Choose from 08, 10, 12, 14, 16, 19, 22, 26, 30, 34, 39, 42, 50

DIE SETS FOR D205M CRIMPERS

D205M-DIE(size) 480.00
Specify size in millimeters at time of ordering. Choose from 08, 10, 12, 14, 16, 19, 22, 26, 30, 31, 32, 34, 39, 42, 47, 50

ST SKIVING TOOL ACCESSORIES

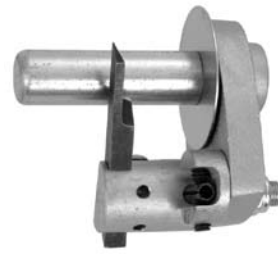


STB Blade \$ 72.30
STH Handle 85.60

Part Number **PRICE EACH**

STE EXTERNAL SKIVING TOOLS

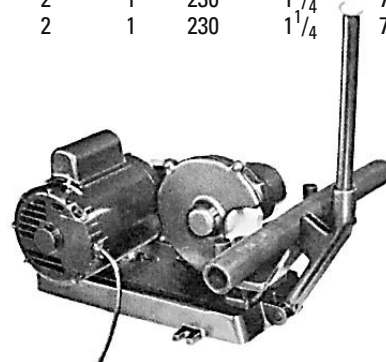
ST5904-04	\$ 227.90
ST5904-06	227.90
ST5904-08	227.90
ST5904-10	238.50
ST5904-12	238.50
ST5904-16	238.50
ST5904-20	274.50
ST5904-24	274.50
ST5904-32	280.20
ST8604-12	238.50
ST8604-16	238.50
ST8604-20	274.50
ST8604-24	274.50
ST8604-32	274.50



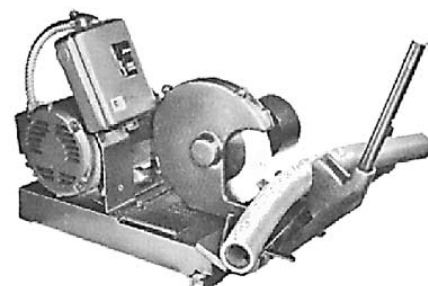
CS HYDRAULIC HOSE CUT-OFF SAWS

Cut off saws are available with a variety of motors and blades

Model	HP	Phase	Voltage	Max. Hose size	Blade type	Price
CS-7	1	1	115	1 1/4"	7" Bevelled	\$ 1,707.00
	1	1	115	1 1/4"	7" Scalloped	1,831.00
	1.5	1	115	1 1/4"	7" Bevelled	1,861.00
	1.5	1	115	1 1/4"	7" Scalloped	1,986.00
	2	1	230	1 1/4"	7" Bevelled	1,963.00
	2	1	230	1 1/4"	7" Scalloped	2,073.00



CS-8	1.5	1	115	1 1/2"	8" Bevelled	\$ 1,949.00
	1.5	1	115	2"	8" Scalloped	2,083.00
	2	1	230	1 1/2"	8" Bevelled	2,152.00
	2	1	230	2"	8" Scalloped	2,306.00
	1.5	DC	12	1 1/2"	8" Bevelled	2,648.00
	1.5	DC	12	2"	8" Scalloped	2,795.00
CS-10	3	1	230	2"	10" Bevelled	5,605.00
	3	1	230	2"	10" Scalloped	5,838.00
	3	3	230	2"	10" Bevelled	4,827.00
	3	3	230	2"	10" Scalloped	5,060.00



Equipment

HOSEREEL 7

In an effort to reduce packaging, and its effect on the environment, we offer a hose storage and dispensing rack. The HOSEREEL7 conveniently handles seven of your most popular coiled lengths of hose without the need for wooden or plastic disposable reels. You can purchase hose in smaller quantities to increase your inventory turns, and you save the cost of breaking down the empty reel and sending it to a landfill. Trays pivot out as shown for easy reloading. Each tray will hold 80 Kg (176 lb) of hose.

DIMENSIONS: 50" wide x 40" deep x 88" high
WEIGHT: 148 kg (326 lb)
COIL SIZE: 10" Minimum inside diameter
40" Maximum outside diameter



REELRACK 8

In answer to requests for reel holding equipment we now offer a mobile reel stand. This simple, robust unit is constructed using 1-1/2" square steel tube and comfortably holds a minimum of 8 reels of hydraulic hose. For easy movement and storage away from cutting and coupling equipment, the unit is supplied with two fixed and two rotating lockable casters. Reels are easily changed, without pinched fingers, by inserting the lifting rod through the steel tube reel supports, and lifting the reel from the outsides of the frame.

DIMENSIONS: 35" wide x 35" deep x 92" high (without reels)



PULSAR DIGITAL CALIPER



Caliper

6" Digital Caliper

\$ 60.00