

SANDBLAST COUPLINGS

Sandblast couplings fit snugly over the cover of G722 sandblast hose and are fastened with screws into the hose carcass. The over-the-cover design allows unimpeded flow of the sand or glass beads, and minimizes coupling wear. Nozzle holders are threaded to accept sand nozzles, and female NPT adapters allow attachment to the machine. Couplings are aluminum or brass and come complete with natural rubber gaskets and screws.

Part Number	Hose I.D.	Hose O.D.	PRICE EACH	Pkg Qty
-------------	-----------	-----------	------------	---------

G72... NOZZLE HOLDER



G72-075	3/4"	1.50"	\$7.40	1
G72-100	1"	1.88"	8.30	1
G72-125	1 1/4"	2.16"	10.80	1
G72-150	1 1/2"	2.38"	16.60	1

G72B... BRASS NOZZLE HOLDER



G72B-075	3/4"	1.50"	17.60	1
G72B-100	1"	1.88"	24.00	1
G72B-125	1 1/4"	2.16"	31.10	1
G72B-150	1 1/2"	2.38"	54.50	1

G72M... MALE NPT HOSE END



G72M-050	1/2"	1.06"	7.10	1
----------	------	-------	------	---

Part Number	Hose I.D.	Hose O.D.	PRICE EACH	Pkg Qty
-------------	-----------	-----------	------------	---------

G75... SANDBLAST COUPLING



G75-075	3/4"	1.50"	\$7.60	1
G75-100	1"	1.88"	8.00	1
G75-125	1 1/4"	2.16"	11.90	1
G75-150	1 1/2"	2.38"	16.50	1

G75B... BRASS SANDBLAST COUPLING



G75B-075	3/4"	1.50"	23.90	1
G75B-100	1"	1.88"	24.70	1
G75B-125	1 1/4"	2.16"	39.20	1
G75B-150	1 1/2"	2.38"	55.90	1

G77... FEMALE NPT ADAPTER



Part Number	Pipe Size	PRICE EACH	Pkg Qty
G77-125	1 1/4"	10.00	1
G77-150	1 1/2"	10.00	1

G77B... BRASS FEMALE NPT ADAPTER



G77B-125	1 1/4"	26.20	1
G77B-150	1 1/2"	26.20	1

G78... GASKET

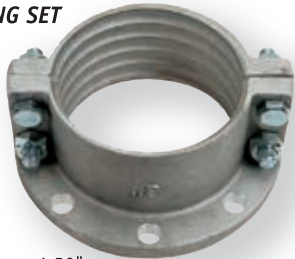


Part No.	Hose Size	Loose	Std Pkg	Std Pkg Qty
G78	1 1/4"	\$1.30	\$1.20	10


ABRASIVE MATERIAL FITTINGS

RHINO EXTERNAL SPLIT FLANGE COUPLINGS

Rhino flanges are sold as sets since the two halves are not identical or interchangeable. They are designed specifically for G743 Rhino Material Transfer Hose and fit tightly over the corrugated cover when the two halves are bolted together. This feature provides secure attachment while allowing full flow. Coupling sets come complete with bolts. Gaskets are purchased separately.

Part Number	Hose I.D.	Hose O.D.	PRICE EACH
G79... ALUMINUM COUPLING SET			
			
G79-300	3"	4.50"	\$200.30
G79-400	4"	5.25"	132.50
G79-600	6"	7.50"	191.90
G79-800	8"	9.50"	365.70
G79-1000	10"	11.50"	556.50
G79-1200	12"	13.75"	921.10

G79M... MALLEABLE IRON COUPLING SET


			
G79M-400	4"	5.25"	260.00
G79M-600	6"	7.50"	402.10

G79G... GASKET

			
G79G-300	3"	4.50"	29.40
G79G-400	4"	5.25"	31.00
G79G-600	6"	7.50"	37.90
G79G-800	8"	8.50"	58.60
G79G-1000	10"	11.50"	83.80
G79G-1200	12"	13.75"	125.30

CONCRETE HOSE FITTINGS

Designed similar to a hydraulic fitting, Green Line's concrete crimp fittings are zinc-plated, case hardened, and machined from stock. The two-piece, full flow design ensures proper depth insertion and fitting retention when attached to our Concrete Placement hose. In 5" sizes, our concrete fittings come as pre-crimped one-piece fittings. A hose pusher is required for installation as well as a crimper or swager for permanently attaching these fittings.

Part Number	Pipe Size	Hose Size	Flange O.D.	PRICE EACH
G73HI... HEAVY DUTY FLANGE STYLE				
				
G73HI-200-200	2"	2"	3"	\$69.30
G73HI-250-250	2½"	2½"	3½"	72.40
G73HI-300-300	3"	3"	4"	74.80
G73HI-400-350	4"	3½"	5"	139.00
G73HTI-400-350*	4"	3½"	5"	139.00
G73HI-400-400	4"	4"	5"	113.30
G73H-500-500	5"	5"	6.2"	264.60
G73M-582-500	Metric	5"	5.8"	264.60

NEW

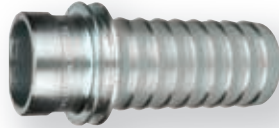
*Note: The G73HTI fitting features a tapered bore to reduce turbulence when connecting 4" hoses to 3 1/2" hoses.

G73HF... CONCRETE HOSE FERRULE

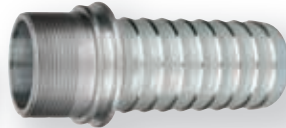
			
	NEW	Hose Size	
G73HF-200		2"	34.60
G73HF-250		2½"	49.80
G73HF-300		3"	55.40
G73HF-350		3½"	62.50
G73HF-400		4"	61.50

Note: These ferrules are designed for use with G73HI, G73VI, and G73NPTI Concrete Hose Inserts only.

G73VI... GROOVED STYLE INSERT

			
	NEW		
G73VI-200-200	2"	2"	66.10

G73NPTI... MALE NPT STYLE INSERT

			
	NEW		
G73NPTI-200-200	2"	2"	66.10