

Reusable Couplings

Part Number	PRICE EACH		Pkg Qty	Item Rank
	Loose	Std Pkg		
G2000 HOSE MENDER				
G2000-04	2.20	2.00	5	A
G2000-06	2.90	2.50	5	A
G2000-08	3.70	3.40	5	A
G2000-10	6.90	6.20	5	B
G2000-12	8.00	7.20	5	B



Part Number	PRICE EACH		Pkg Qty	Item Rank
	Loose	Std Pkg		
G2001 PLAIN TUBE END				
G2001-04-04	2.90	2.90	1	C
G2001-05-04	3.60	3.60	1	C
G2001-06-06	3.50	3.50	1	C



Part Number	PRICE EACH		Pkg Qty	Item Rank
	Loose	Std Pkg		
G2002 FEMALE INVERTED FLARE				
G2002-03-04	3.90	3.90	1	C
G2002-04-04	3.40	3.40	1	C
G2002-05-04	3.50	3.50	1	C
G2002-06-06	4.60	4.60	1	C



Part Number	PRICE EACH		Pkg Qty	Item Rank
	Loose	Std Pkg		
G2004 SAE 45° FEMALE SWIVEL				
G2004-04-04	2.20	2.00	5	A
G2004-05-04	3.40	3.40	1	B
G2004-05-05	3.60	3.60	1	C
G2004-06-06	3.80	3.40	5	A
G2004-06-08	8.50	8.50	1	C
G2004-08-06	4.90	4.90	1	B
G2004-08-08	4.20	3.90	5	A
G2004-08-10	8.10	8.10	1	C
G2004-10-08	7.20	7.20	1	C
G2004-10-10	8.00	7.10	5	B
G2004-12-12	8.20	8.20	1	C



Part Number	PRICE EACH		Pkg Qty	Item Rank
	Loose	Std Pkg		
G2005 JIC 37° FEMALE SWIVEL				
G2005-06-06	2.80	2.60	5	A
G2005-12-12	10.60	9.40	5	B



Part Number	PRICE EACH		Pkg Qty	Item Rank
	Loose	Std Pkg		
G2006 FEMALE PIPE SWIVEL BALL SEAT STYLE				
G2006-02-04	5.20	5.20	1	C
G2006-04-04	4.70	4.70	1	C
G2006-04-06	5.30	5.30	1	C
G2006-06-06	7.00	7.00	1	C
G2006-08-08	7.80	7.80	1	C



Part Number	PRICE EACH		Pkg Qty	Item Rank
	Loose	Std Pkg		
G2008 NPT FEMALE SOLID PUSH-ON FITTING				
G2008-02-04	3.00	3.00	1	C
G2008-04-04	3.00	3.00	1	C
G2008-06-06	4.10	4.10	1	C
G2008-08-08	5.80	5.80	1	C



Part Number	PRICE EACH		Pkg Qty	Item Rank
	Loose	Std Pkg		
G2012 MALE INVERTED FLARE				
G2012-03-04	5.50	5.50	1	C
G2012-04-04	3.80	3.80	1	C
G2012-05-04	4.00	4.00	1	C
G2012-06-06	4.90	4.90	1	C
G2012-08-08	9.00	9.00	1	C
G2012-10-10	12.30	12.30	1	C



Part Number	PRICE EACH		Pkg Qty	Item Rank
	Loose	Std Pkg		
G2014 SAE 45° MALE				
G2014-04-04	2.70	2.70	1	C
G2014-05-04	3.60	3.60	1	C
G2014-06-06	3.40	3.40	1	C
G2014-08-08	6.30	6.30	1	C
G2014-10-10	8.90	8.90	1	C



Part Number	PRICE EACH		Pkg Qty	Item Rank
	Loose	Std Pkg		
G2015 JIC 37° MALE				
G2015-06-06	3.60	3.60	1	C



Part Number	PRICE EACH		Pkg Qty	Item Rank
	Loose	Std Pkg		
G2016 NPTF MALE				
G2016-02-04	1.70	1.50	5	A
G2016-02-06	2.90	2.90	1	C
G2016-04-04	2.00	1.80	5	A
G2016-04-05	2.50	2.20	5	B
G2016-04-06	2.10	1.80	5	A
G2016-04-08	3.60	3.60	1	C
G2016-06-04	3.00	3.00	1	C
G2016-06-06	2.70	2.20	5	A
G2016-06-08	2.90	2.50	5	A
G2016-06-10	6.40	6.40	1	C
G2016-08-06	3.80	3.40	5	C
G2016-08-08	3.50	3.30	5	A
G2016-08-10	5.30	4.90	5	B
G2016-08-12	7.30	7.30	1	C
G2016-12-08	7.80	7.80	1	C
G2016-12-10	6.90	6.90	1	C
G2016-12-12	6.80	6.30	5	A



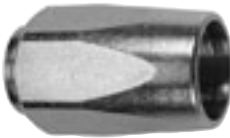
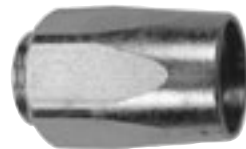





Part Number	PRICE EACH		Pkg Qty	Item Rank
	Loose	Std Pkg		
3005 JIC 37° FEMALE SWIVEL				
3005-04-04	7.70		1	C
3005-06-06	8.10		1	C
3005-08-08	13.10		1	C
3005-12-12	32.10		1	C
3005-16-16	43.60		1	C









Part Number	PRICE EACH		Pkg Qty	Item Rank
	Loose	Std Pkg		
3016 NPTF MALE				
3016-04-04	6.50		1	C
3016-06-06	8.10		1	C
3016-08-08	9.00		1	C




Reusable Couplings

Part Number	PRICE EACH		Pkg Qty	Item Rank
	Loose	Std Pkg		
3100 SAE 100R1AT SOCKET				
3100-04		6.50	1	C
3100-06		6.80	1	C
3100-08		8.50	1	C
				
3200 SAE 100R2AT SOCKET				
3200-04		6.30	1	C
3200-06		6.80	1	C
3200-08		8.50	1	C
3200-12		15.50	1	C
3200-16		41.70	1	C
				
3409 CODE 61 FLANGE				
3409-24-32		86.50	1	C
3409-32-24		103.50	1	C
3409-32-32		103.50	1	C
3409-32-40		124.20	1	C
3409-40-32		129.30	1	C
3409-40-40		129.50	1	C
3409-48-48		168.80	1	C
3409-64-64		233.90	1	C
				
3449 CODE 61 FLANGE 45° ELBOW				
3449-24-32		117.80	1	C
3449-32-32		128.60	1	C
3449-32-40		162.50	1	C
3449-40-40		164.40	1	C
3449-48-48		192.50	1	C
				
3499 CODE 61 FLANGE 90° ELBOW				
3499-24-32		123.90	1	C
3499-32-32		135.40	1	C
3499-32-40		171.20	1	C
3499-32-48		206.30	1	C
3499-40-32		171.60	1	C
3499-40-40		173.20	1	C
3499-40-48		208.00	1	C
3499-48-40		208.70	1	C
3499-48-48		202.70	1	C
3499-64-64		358.60	1	C
				
3504 SAE 45° FEMALE SWIVEL				
3504-04-04		7.70	6.10	10 A
3504-04-06		16.10	16.10	1 C
3504-05-05		20.40	16.40	10 B
3504-06-06		9.40	7.50	10 A
3504-08-06		25.30	25.30	1 C
3504-08-08		13.80	11.10	10 A
3504-10-08		44.40	44.40	1 C
3504-10-10		18.90	15.20	5 A
3504-12-12		30.30	24.30	5 B
				
3504B BRASS SAE 45° FEMALE SWIVEL				
3504B-04-04		6.10	6.10	1 C
3504B-06-06		9.20	9.20	1 C
3504B-08-08		15.30	12.30	10 B
3504B-10-10		17.10	17.10	1 C
3504B-12-12		38.40	38.40	1 C
				

Part Number	PRICE EACH		Pkg Qty	Item Rank
	Loose	Std Pkg		
3505 JIC 37° FEMALE SWIVEL				
3505-04-04		8.70	6.90	10 A
3505-04-05		15.40	15.40	1 C
3505-05-05		10.20	8.30	10 A
3505-06-05		15.50	15.50	1 C
3505-06-06		10.80	8.60	10 A
3505-06-08		29.20	29.20	1 C
3505-08-08		13.70	11.00	10 A
3505-08-10		47.00	47.00	1 C
3505-10-10		21.50	17.30	5 A
3505-10-12		76.90	76.90	1 C
3505-12-12		27.20	21.80	5 A
3505-16-16		35.60	28.50	5 A
3505-20-20		45.10	36.00	2 B
3505-24-24		61.40	61.40	1 C
3505-32-32		103.50	103.50	1 C
				
3512 MALE INVERTED FLARE				
3512-04-04		19.00	19.00	1 C
3512-05-05		21.40	21.40	1 C
3512-06-06		21.90	21.90	1 C
3512-08-08		24.40	24.40	1 C
				
3514 SAE 45° MALE				
3514-04-04		10.20	10.20	1 C
3514-06-06		14.40	14.40	1 C
3514-08-08		18.20	18.20	1 C
3514-10-10		29.40	29.40	1 C
				
3515 JIC 37° MALE				
3515-04-04		11.30	11.30	1 C
3515-05-05		16.30	16.30	1 C
3515-06-06		13.30	13.30	1 C
3515-08-08		17.30	17.30	1 C
3515-10-10		27.60	27.60	1 C
3515-12-12		33.40	33.40	1 C
3515-16-16		54.90	54.90	1 C
				
3516 NPTF MALE				
3516-02-04		7.10	5.70	10 A
3516-04-04		6.90	5.50	10 B
3516-04-05		5.90	5.90	1 C
3516-04-06		7.70	6.10	10 A
3516-06-06		9.20	7.30	10 B
3516-06-08		12.60	10.10	10 B
3516-08-08		9.00	9.00	1 C
3516-08-10		12.00	12.00	1 C
3516-08-12		30.10	30.10	1 C
3516-12-10		26.50	26.50	1 C
3516-12-12		19.20	15.30	5 B
3516-12-16		26.00	26.00	1 C
3516-16-16		19.10	19.10	1 C
3516-20-20		31.20	31.20	1 C
3516-24-24		48.20	48.20	1 C
3516-32-32		95.00	95.00	1 C
				
3542 MALE INVERTED FLARE 45° FITTING				
3542-06-06		25.90	25.90	1 C
				




Reusable Couplings


Part Number		PRICE EACH		Pkg Qty	Item Rank
		Loose	Std Pkg		
3544 SAE 45° FEMALE - 45° ELBOW					
3544-04-04		22.10	17.50	10	B
3544-05-05		23.00	23.00	1	C
3544-06-06		26.90	26.90	1	C
3544-08-08		23.80	19.00	10	B
3544-10-10		33.00	33.00	1	C

Part Number		PRICE EACH		Pkg Qty	Item Rank
		Loose	Std Pkg		
3545 JIC 37° FEMALE - 45° ELBOW					
3545-06-06		23.60	23.60	1	C
3545-12-12		38.90	38.90	1	C
3545-16-16		55.30	55.30	1	C
3545-20-20		167.00	167.00	1	C


Part Number		PRICE EACH		Pkg Qty	Item Rank
		Loose	Std Pkg		
3592 MALE INVERTED FLARE - 90° ELBOW					
3592-04-04		30.20	30.20	1	C
3592-05-05		23.30	23.30	1	C
3592-06-06		24.60	24.60	1	C
3592-08-08		52.50	52.50	1	C

Part Number		PRICE EACH		Pkg Qty	Item Rank
		Loose	Std Pkg		
3594 SAE 45° FEMALE - 90° ELBOW					
3594-04-04		20.40	16.30	10	A
3594-05-05		28.30	22.70	10	B
3594-06-06		27.90	22.30	10	B
3594-08-08		30.50	24.30	10	B
3594-10-10		35.70	28.70	5	B

Part Number		PRICE EACH		Pkg Qty	Item Rank
		Loose	Std Pkg		
3594L SAE 45° FEMALE - LONG 90° ELBOW					
3594L-04-04		24.40	24.40	1	C
3594L-05-05		95.50	95.50	1	C
3594L-06-06		26.10	26.10	1	C
3594L-08-08		28.20	28.20	1	C


Part Number		PRICE EACH		Pkg Qty	Item Rank
		Loose	Std Pkg		
3595 JIC 37° FEMALE - 90° ELBOW					
3595-06-06		26.70	21.40	10	A
3595-12-12		35.70	35.70	1	C
3595-16-16		45.20	45.20	1	C
3595-20-20		84.40	84.40	1	C

Part Number		PRICE EACH		Pkg Qty	Item Rank
		Loose	Std Pkg		
3595L JIC 37° FEMALE - LONG 90° ELBOW					
3595L-06-06		31.90	31.90	1	C
3595L-12-12		59.40	59.40	1	C
3595L-16-16		101.30	101.30	1	C

Part Number		PRICE EACH		Pkg Qty	Item Rank
		Loose	Std Pkg		
4100 REPLACEMENT SLEEVE					
4100-04		3.30		1	C
4100-05		3.40		1	C
4100-06		3.40		1	C
4100-08		3.50		1	C
4100-10		6.80		1	C
4100-12		7.10		1	C
4100-16		7.10		1	C


Part Number		PRICE EACH		Pkg Qty	Item Rank
		Loose	Std Pkg		
4101 SAE BALL SLEEVE					
4101-10-10		41.60		1	C

Part Number		PRICE EACH		Pkg Qty	Item Rank
		Loose	Std Pkg		
4104 SAE 45° FEMALE SWIVEL					
4104-04-04		19.70		1	B
4104-05-05		15.80		1	C
4104-06-06		18.00		1	C
4104-08-08		23.90		1	C
4104-10-10		31.80		1	B
4104-12-12		39.90		1	C

Part Number		PRICE EACH		Pkg Qty	Item Rank
		Loose	Std Pkg		
4105 JIC 37° FEMALE SWIVEL					
4105-06-06		16.50		1	C
4105-12-12		43.80		1	B
4105-16-16		44.20		1	C

Part Number		PRICE EACH		Pkg Qty	Item Rank
		Loose	Std Pkg		
4116 NPTF MALE					
4116-02-04		26.30		1	C
4116-04-04		15.70		1	C
4116-04-05		17.10		1	C
4116-08-10		23.10		1	C
4116-12-12		30.10		1	C

Part Number		PRICE EACH		Pkg Qty	Item Rank
		Loose	Std Pkg		
4170 AIR BRAKE COMPRESSION					
4170-10-10		32.10		1	C

Part Number		PRICE EACH		Pkg Qty	Item Rank
		Loose	Std Pkg		
4194 SAE 45° FEMALE - 90° ELBOW					
4194-04-04		34.00		1	C
4194-06-06		40.10		1	C
4194-08-08		40.60		1	C

