





# Stainless Steel & Restricted Orifice Adapters

Part Number	PRICE EACH		Pkg Qty	Item Rank
	Loose	Std Pkg		


## 15000 PSI TYPE 316 STAINLESS STEEL NPT ADAPTERS (Cont'd)

1600SS-15K-06		31.60	1	C
1600SS-15K-08		38.40	1	C
1608SS-15K-04-06		80.60	1	C
1608SS-15K-06-06		86.10	1	C
1608SS-15K-06-08		86.70	1	C
1616SS-15K-04-04		70.90	1	C
1616SS-15K-06-04		75.60	1	C
1616SS-15K-06-06		78.70	1	C
1616SS-15K-08-06		91.80	1	C
1616SS-15K-08-08		91.80	1	C
1698SS-15K-04-04		195.80	1	C
1698SS-15K-08-08		312.10	1	C


## O-RING BOSS PIPE SWIVEL ORIFICE ADAPTER

0611-08-08-000		9.20	9.20	1	C
0611-08-08-031		24.10	12.70	10	C
0611-08-08-062		24.10	12.70	10	C
0611-08-08-125		24.10	12.70	10	C

## FEMALE PIPE SWIVEL ORIFICE ADAPTER

0616-04-04-000		10.80	10.80	1	C
0616-04-04-031		25.80	14.40	10	C
0616-04-04-062		25.80	14.40	10	C
0616-06-06-000		7.90	7.90	1	C
0616-06-06-031		22.80	11.30	10	C
0616-06-06-040		22.80	11.30	10	C
0616-06-06-062		22.80	11.30	10	C
0616-08-08-000		7.50	7.50	1	C
0616-08-08-031		22.50	11.00	10	C
0616-08-08-062		22.50	11.00	10	C
0616-08-08-094		22.50	11.00	10	C
0616-08-08-125		22.50	11.00	10	C

## O-RING BOSS JIC ORIFICE ADAPTER

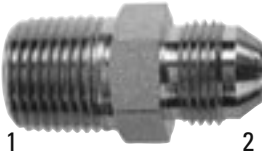
1115-06-06-000		3.10	3.10	1	C
1115-06-06-031		18.10	6.70	10	C
1115-06-06-062		18.10	6.70	10	C
1115-08-06-000		6.90	6.90	1	C
1115-08-06-031		21.80	10.40	10	C
1115-08-06-062		21.80	10.40	10	C
1115-08-08-000		7.20	7.20	1	C
1115-08-08-031		22.20	10.70	10	C
1115-08-08-062		22.20	10.70	10	C
1115-08-10-000		5.60	5.60	10	C
1115-08-10-062		20.50	9.00	10	C
1115-10-08-000		10.80	10.80	1	C
1115-10-08-031		25.80	14.40	10	C
1115-10-08-062		25.80	14.40	10	C

## JIC MALE UNION ORIFICE ADAPTER

1515-06-06-000		3.80	3.80	1	C
1515-06-06-026		18.80	7.30	10	C
1515-06-06-031		18.80	7.30	10	C
1515-06-06-040		18.80	7.30	10	C

Part Number	PRICE EACH		Pkg Qty	Item Rank
	Loose	Std Pkg		

## JIC MALE NPT ORIFICE ADAPTER


1516-06-04-000		3.80	3.80	1	C
1516-06-04-031		18.80	7.30	10	C
1516-06-04-062		18.80	7.30	10	C
1516-06-06-000		3.80	3.80	1	C
1516-06-06-031		18.80	7.30	10	C
1516-06-06-062		18.80	7.30	10	C
1516-08-06-000		4.00	4.00	1	C
1516-08-06-031		18.90	7.40	10	C
1516-08-06-062		18.90	7.40	10	C
1516-08-08-000		4.30	4.30	1	C
1516-08-08-031		19.20	7.80	10	C
1516-08-08-062		19.20	7.80	10	C

## Check Valves

### FEMALE O-RING BOSS CHECK VALVE

0101CV-08-08		44.40	1	C
0101CV-12-12		58.40	1	C

### FEMALE NPT CHECK VALVE

0808CV-02-02		20.70	1	C
0808CV-04-04		20.70	1	B
0808CV-06-06		25.20	1	C
0808CV-08-08		28.90	1	B
0808CV-12-12		51.40	1	B
C0808CV-16-16		90.40	1	C

### MALE BY FEMALE NPT CHECK VALVE

1608CV-08-08		35.40	1	B
--------------	--------------------------------------------------------------------------------------	-------	---	---

