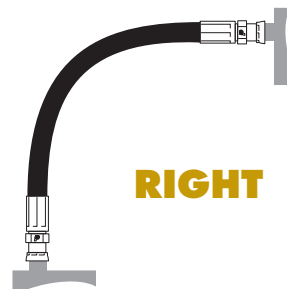
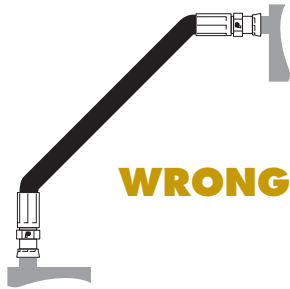


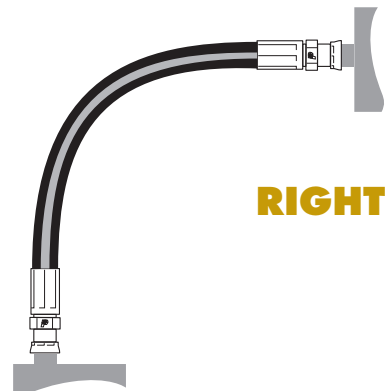
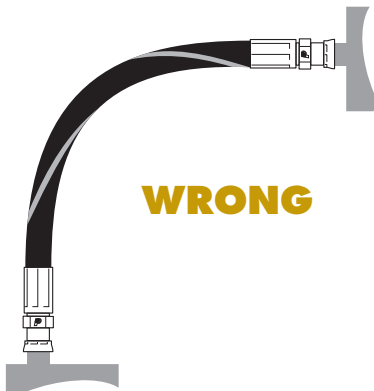
# GENERAL INFORMATION

## HOSE ASSEMBLY ROUTING AND INSTALLATION GUIDE

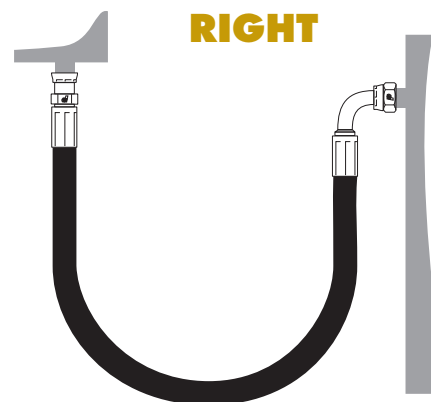
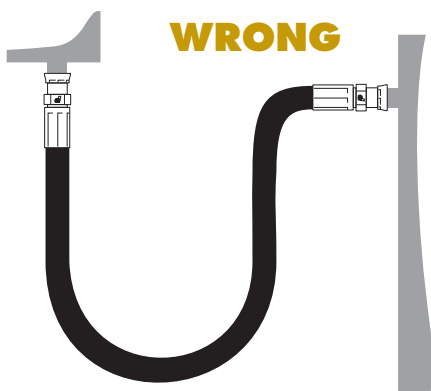
By keeping the following routing methods in mind, users can maximize hose performance and reduce premature failures.



Hose assemblies may change in length under pressure (from +2% to -4%). Always provide some slack in the hose to allow for contraction.



Avoid twists in the hose. Assemblies installed with a twist in the hose tend to loosen threaded connections and/or cause reinforcement separation.

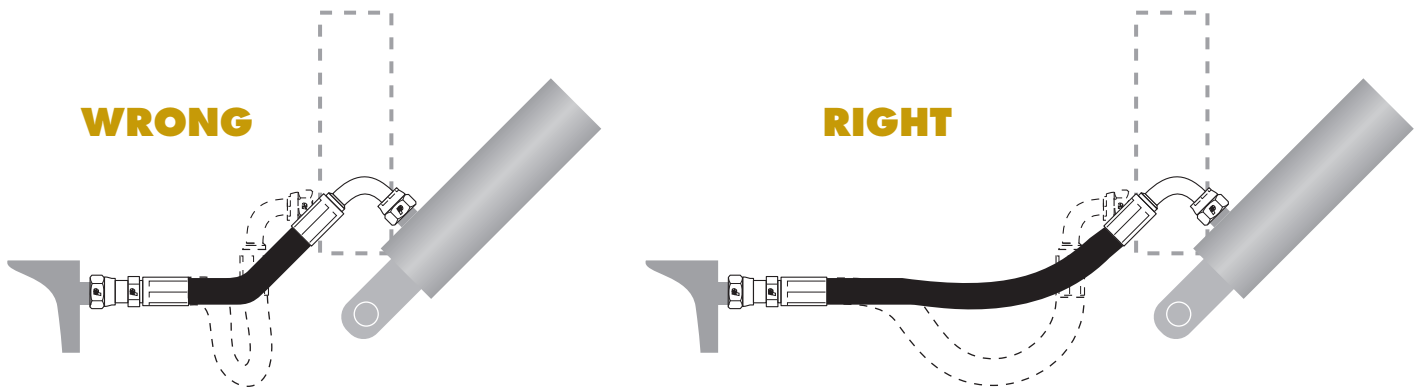


Always consider the minimum bend radius for the hose. Use adapters where necessary to avoid sharp bends.

# GENERAL INFORMATION

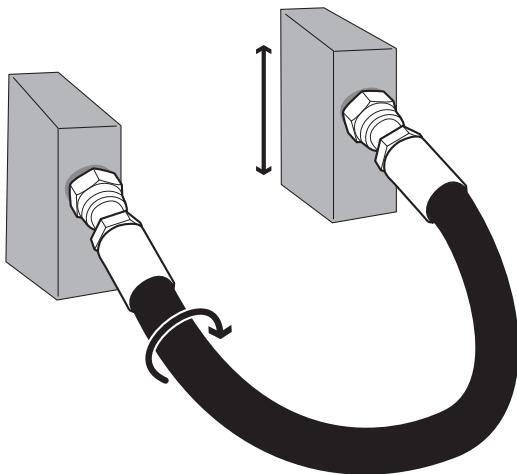
## HOSE ASSEMBLY ROUTING AND INSTALLATION GUIDE

By keeping the following routing methods in mind, users can maximize hose performance and reduce premature failures.

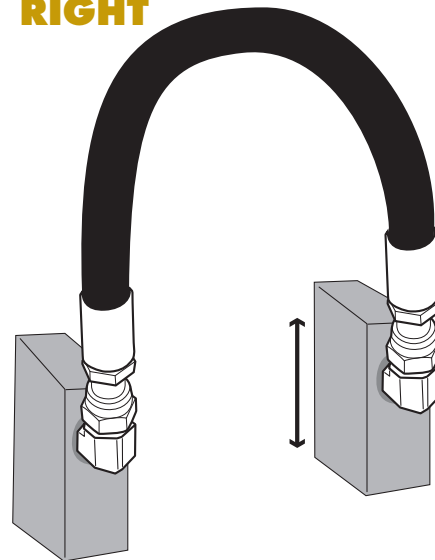


Where hoses flex, be sure to allow adequate hose length for all positions to avoid kinking or exceeding the minimum bend radius

**WRONG**



**RIGHT**

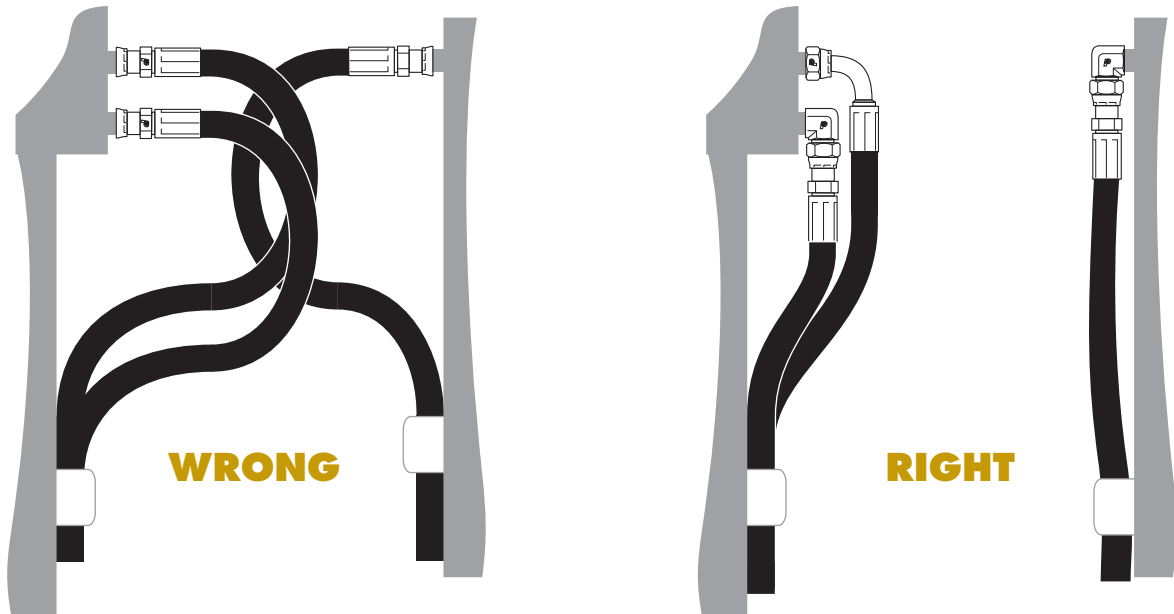


Design installations so that machine motion produces bending rather than twisting

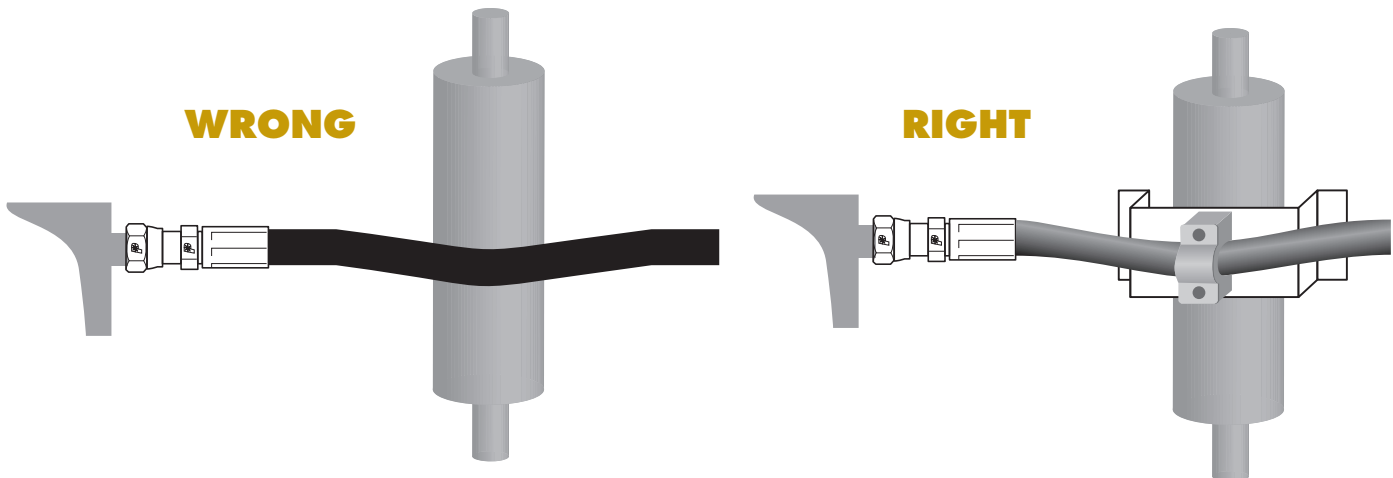
# GENERAL INFORMATION

## HOSE ASSEMBLY ROUTING AND INSTALLATION GUIDE

By keeping the following routing methods in mind, users can maximize hose performance and reduce premature failures.



Use adapters and elbows to reduce tight hose bends and produce a tidy installation

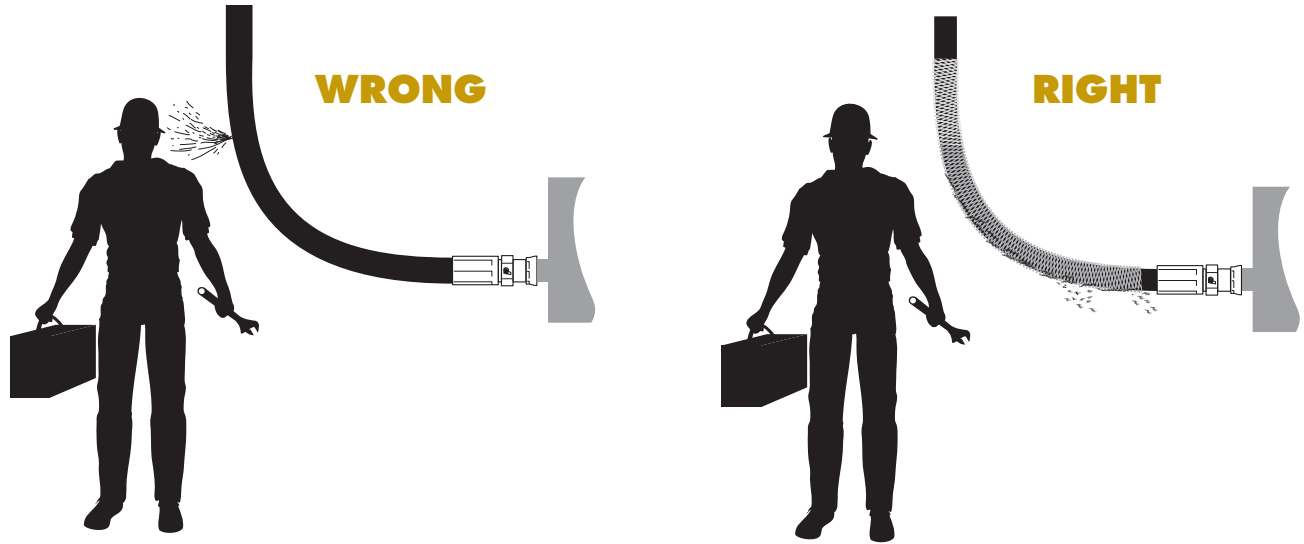


Use support clamps to reduce damage from heat or abrasion. Where clamps cannot be used, install a protective spring or sleeve.

# GENERAL INFORMATION

## HOSE ASSEMBLY ROUTING AND INSTALLATION GUIDE

By keeping the following routing methods in mind, users can maximize hose performance and reduce premature failures.



Where a leaking hose may result in injury from oil spray and skin injection, install a woven sleeve to absorb the impact of the oil stream.